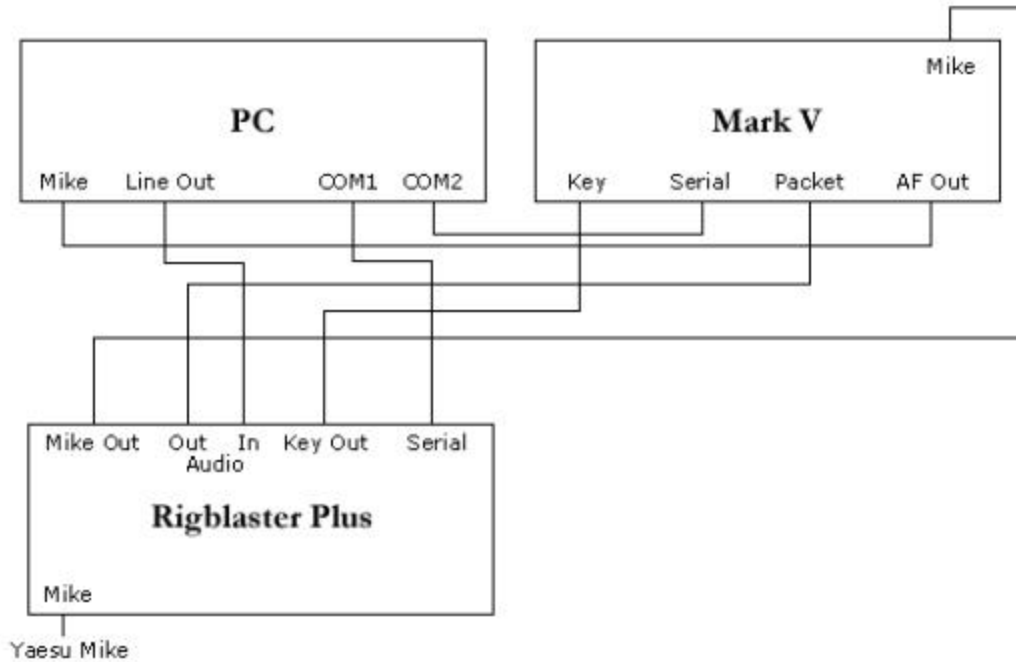


# Rigblaster Plus and Yaesu FT-1000 MP Mark V with Writelog Interfacing Don Cassel VE3BUC



The problem with the Mark V and Rtty is to take advantage of the additional filtering available for Rtty at the Packet jack on the rear panel. Using the standard mike input from the Rigblaster requires that you use LSB and as a result does not take advantage of this filtering. Also you cannot select a narrow CW filter when in LSB mode. Using the Packet jack requires you to press the PKT key on the Mark V to operate AFSK Rtty which lights up both the PKT and LSB lights for that mode. Although the Rtty jack and FSK could be used I chose to stay with the AFSK which has been quite satisfactory in previous use. For modes such as PSK you can just press the USB button and use the software for filtering. I also wanted to be able to use Writelog for CW send and receive in addition to the digital modes.

## Cabling

Two extra audio cables will be required that are not included with Rigblaster Plus. These are used for audio to the Mark V packet connector and the CW key connector.

1. Set up the Rig Blaster as instructed in the manual. For the Mark V install the jumpers as instructed for the Yaesu Mike. I'm using a Heil with the same settings.
2. Connect the mike as instructed in the Rigblaster manual. Run the mike cable from the Rigblaster to the Mark V front connector and plug the mike into the Rigblaster front mike connector.<sup>1</sup>
3. Connect the serial cable between the Rigblaster and the PC COM1.<sup>2</sup>
4. Connect an audio cable from PC Line Out to the Rigblaster Audio In.
5. Connect an audio cable from the PC Microphone jack to the Mark V AF Out.

6. Connect an audio cable from the Rigblaster Audio Out to the Mark V Packet jack. You will need to wire the jack that comes with the Mark V for this.<sup>3</sup>
7. For CW – Connect an audio cable from the Rigblaster Key Out to the Mark V CW key connector on the rear panel.

## Writelog Set Up

In Writelog you will need to define the ports used for CW and PTT.

1. From the Writelog menus choose **Setup, Ports**.
2. On the Port Setup window under **CW** select **Com1**.
3. Under **Rig** choose **Com2**. (You may reverse Com1 and 2 as I needed this mix to get rig control to work. Normally rig control on Com1 and CW on Com2 should be just fine.)<sup>4</sup>
4. Beside the setting for **Rig** (in my case Com2) select **Yaeseu FT-1KMP – Auto – Poll – Yes** (CommPTT). (Yes I know there is no MarkV in the list but the MP is okay.)
5. Check the box – **All Mode PTT on CW Port RTS**.
6. Click the **CW PTT...** button and in the CW PTT Setup window check – **None (e.g. QSK)**. (If you prefer not to operate QSK then you can choose **Command rig on COM port**)
7. Click **OK, OK** to close the windows.
8. From the **Bands** menu choose **LSB is really FSK**.
9. Choose the **Setup** menu and choose **Save Configuration**. You might want to make some settings in this window such as to open the Rtty window at Startup.
10. In the Rttyrite window (**Window, Rtty Window**) choose **TU Type, Sound Board AFSK**.
11. In the **Mode** menu choose **45 baud** for Rtty or **CW** for Morse.

That's it. Enjoy!

---

<sup>1</sup> Before you make the connections you might want to set up the configuration as described in the Rigblaster Plus manual to make sure that everything is working correctly using Rtty and LSB.

<sup>2</sup> I use COM2 for rig control as I had some problems the other way around. For rig control I have a second serial cable between COM2 and the Mark V.

<sup>3</sup> Use the pin-out in the Yaesu manual. I believe that my connections are the center of the audio cable goes to pin 1 – Data In and the ground to pin 2 – Gnd.

<sup>4</sup> I've heard that you can use one Com port for both CW and rig control. I haven't tried this.