

## FT1000MP to Sound Blaster Card Interface – Mark Marsden G4AXX

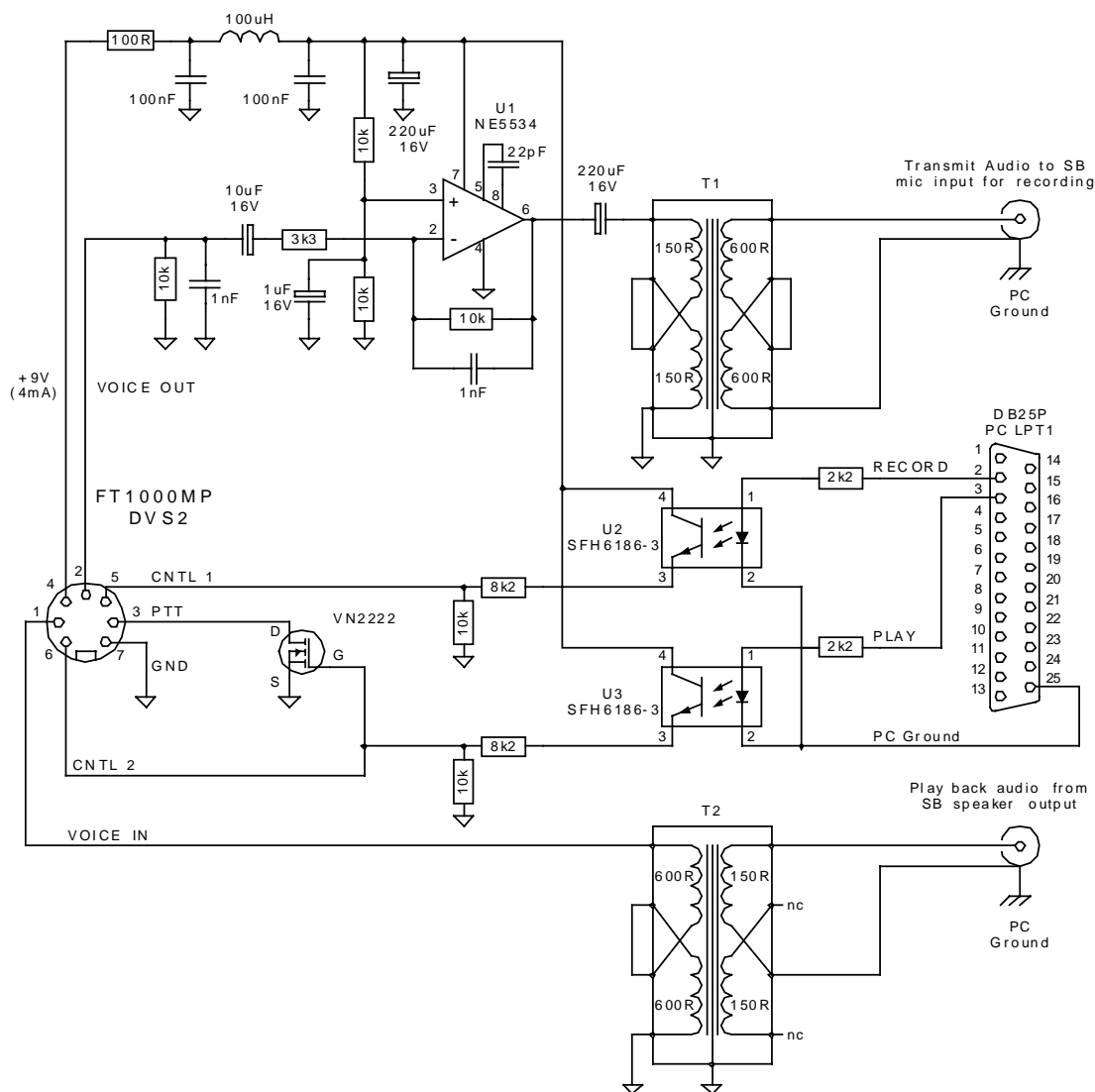
This interface is used with Contest Voice Blaster 2.0 by Datom Engineering available from the Radio Bookstore PO Box 209, 47 Fitzgerald Road, Rindge, NH 03461, USA, see <http://www.contesting.com/datom>

The sound card is a Creative Labs SoundBlaster card.

The operator interface is entirely keyboard driven, the commands are:

Record voice	Shift F1 - F7
Record Off-Air	Alt Shift F1 - F7
Replay	F1 - F7
Repeat Replay	Ctrl Shift F1 - F7

The audio is continuously fed through to the Sound Card allowing SoundBlaster SSTV programs to work in receive mode.



### FT1000MP SoundBlaster Interface

Notes:

T1 and T2 are 150+150Ω : 600+600Ω audio transformers by OEP, Farnell Electronic Components (USA Newark Electronics – same company) stock number 149-155 with screening cans stock number 149-157. U2 and U3 are low input current opto-couplers Siemens type SFH6186-3.