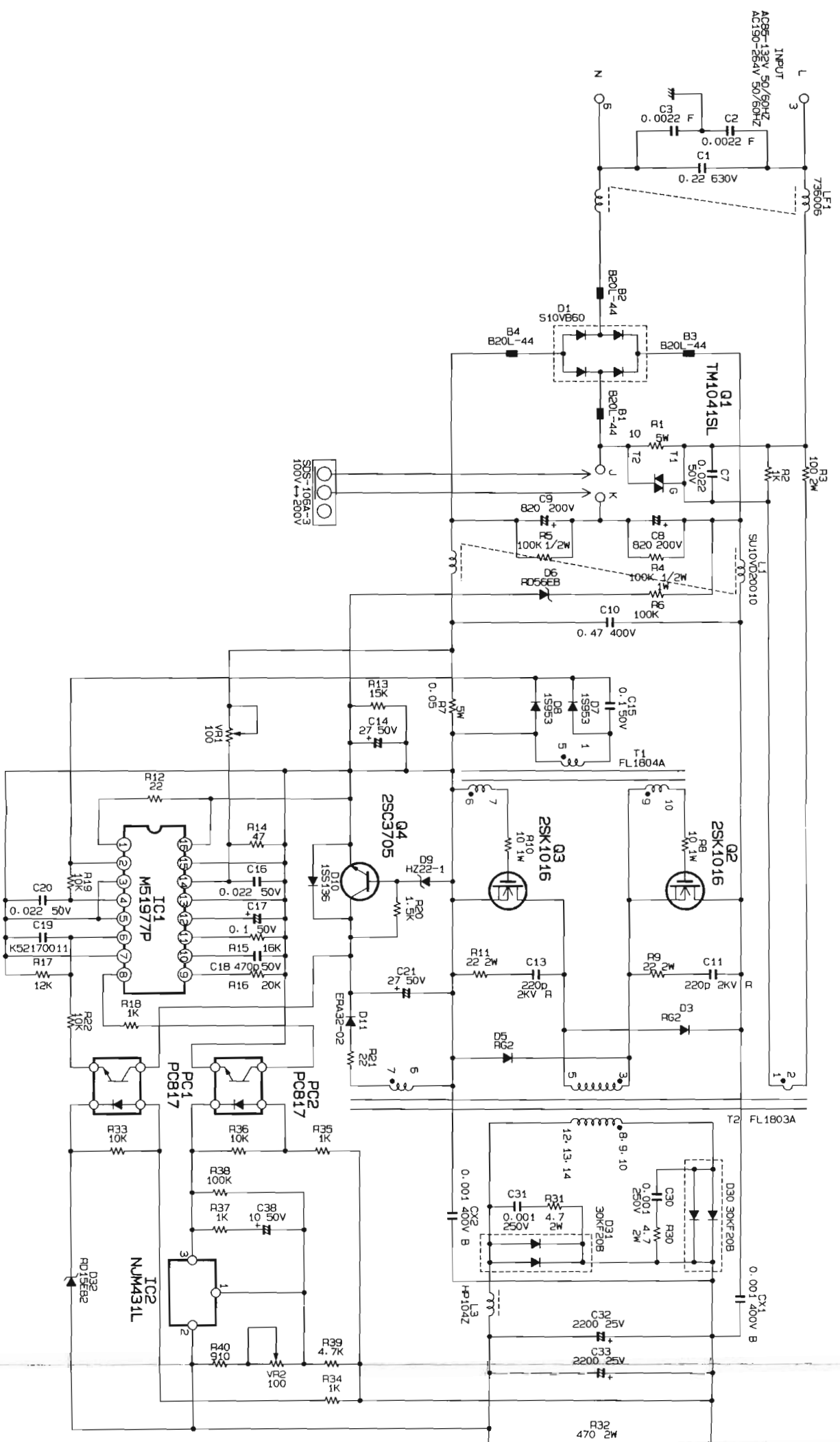
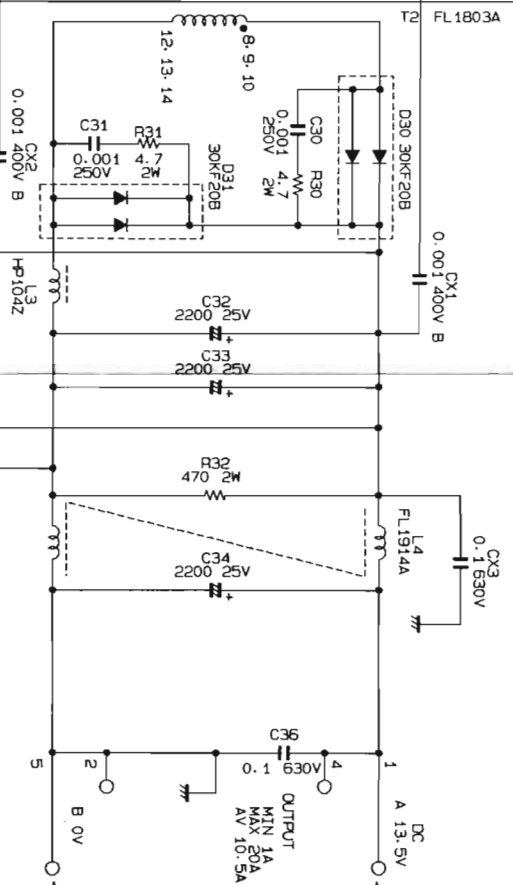
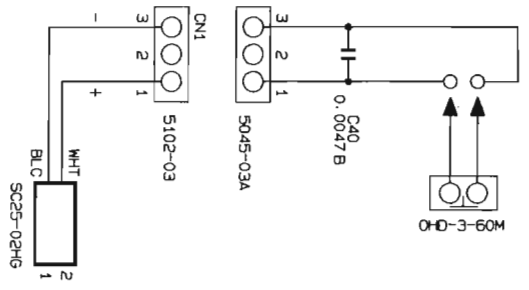
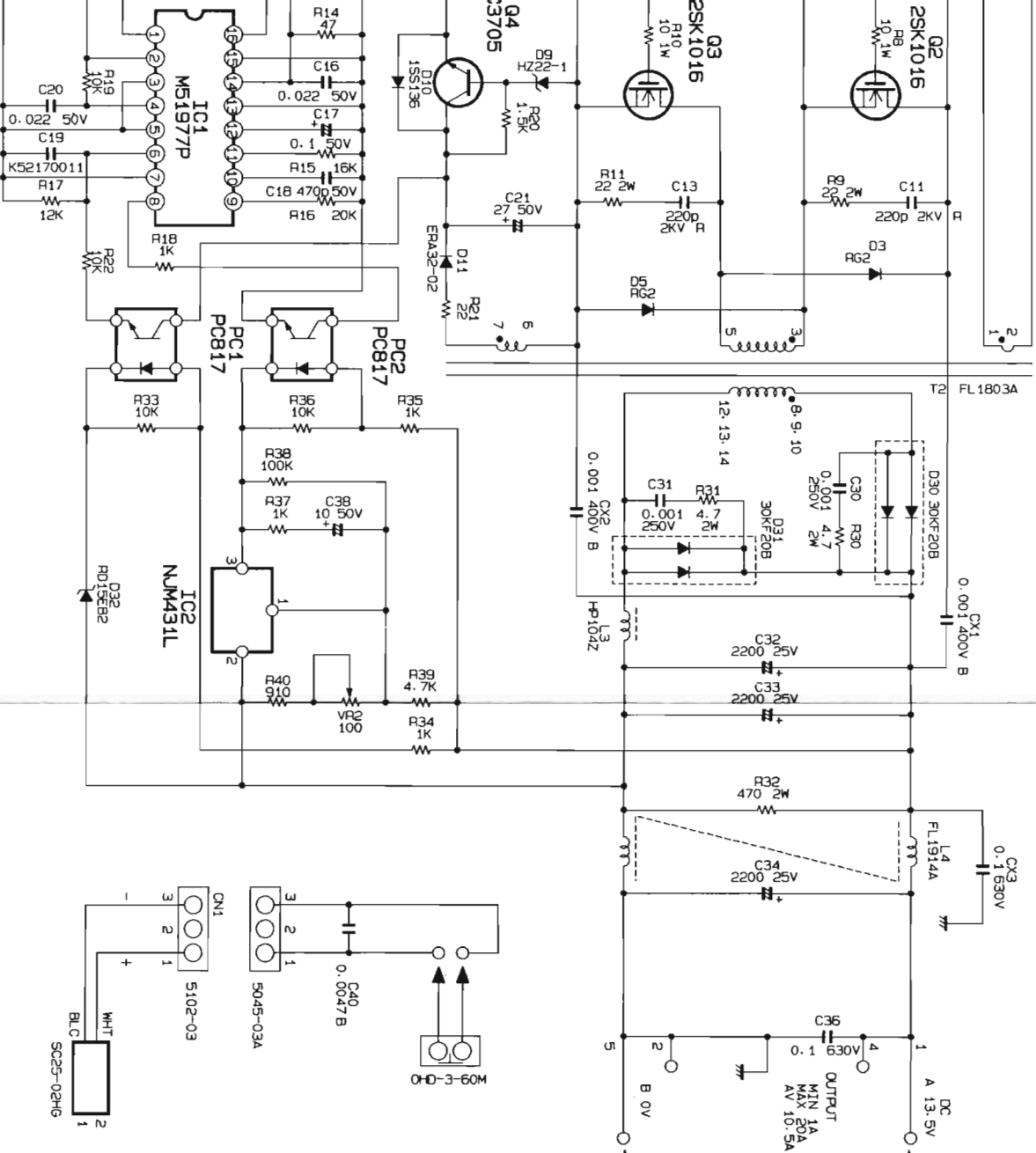


⚠ WARNING! - high voltages present

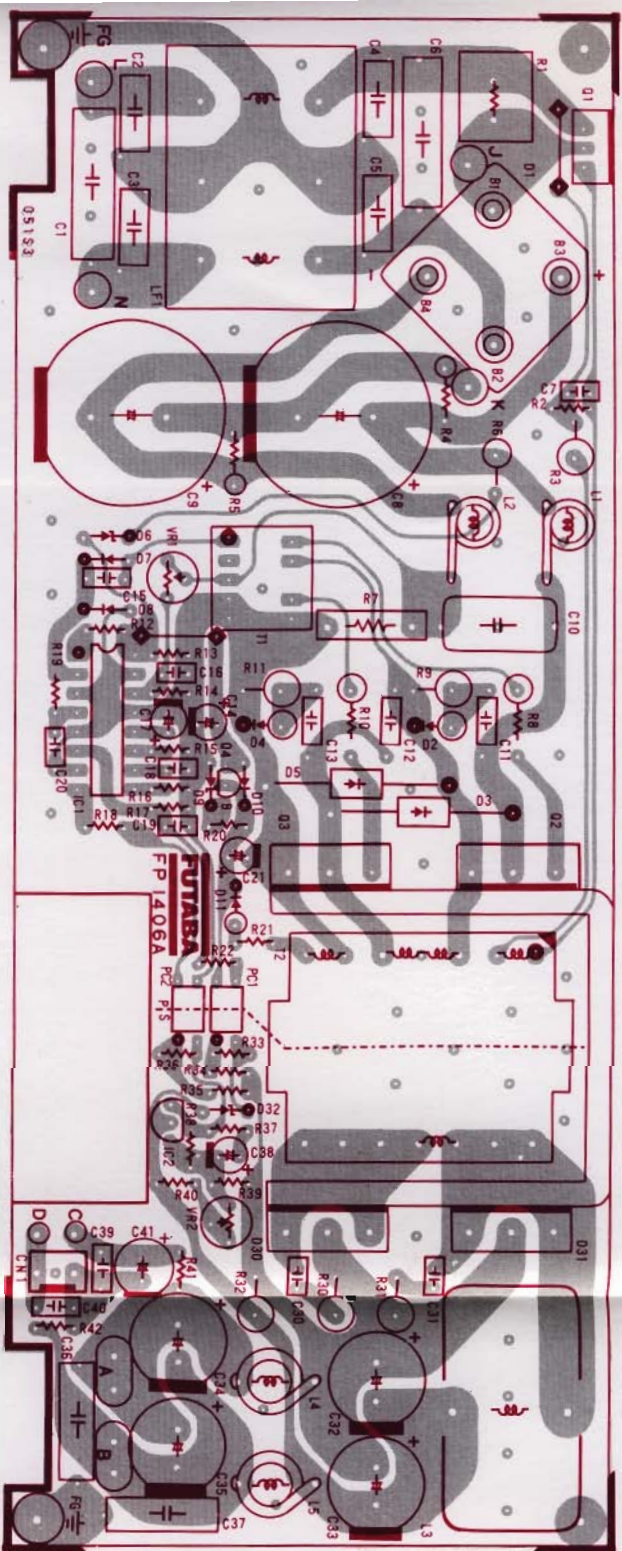


NOTE:  
 RESISTOR VALUES ARE IN Ω, 1/8W ;  
 CAPACITOR VALUES ARE IN μF, 50V ;  
 INDUCTOR VALUES ARE IN H ;  
 COILS VALUES ARE IN H ;  
 UNLESS OTHERWISE NOTED.

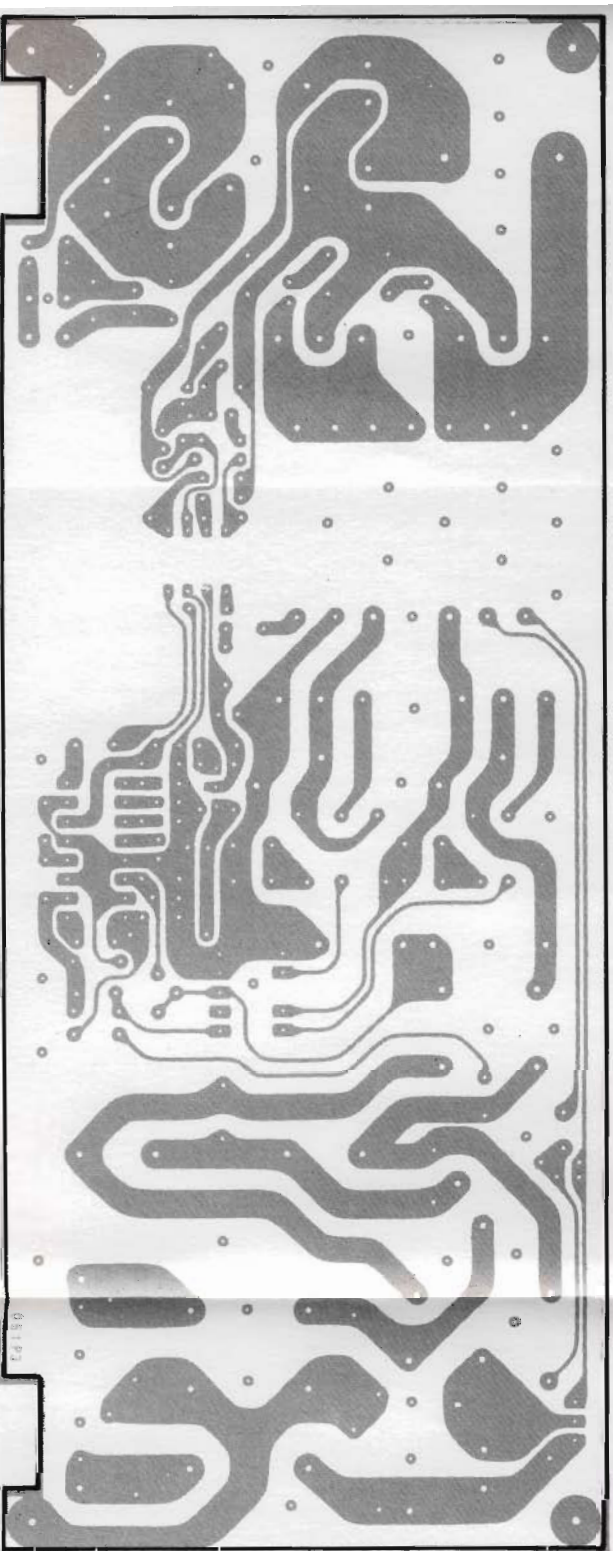


DC A 13.5V  
1  
4  
5  
3  
2  
1  
0V B

OUTPUT  
MIN 1A  
MAX 1.5A  
AV 10.5A



obverse view of component side



obverse view of solder side

## Parts List

REF.	DESCRIPTION	VALUE	WV	TOL.	MFR'S DESIG	YAESU P/N	VERS.	LOT.	LAY	ADR
*** PS UNIT ***										
B 0001	FERITE BEADS				B20L-44	L9190071				
B 0002	FERITE BEADS				B20L-44	L9190071				
B 0003	FERITE BEADS				B20L-44	L9190071				
B 0004	FERITE BEADS				B20L-44	L9190071				
C 0001	FILM CAP.	0.22uF	630V		MMH224K630	K52280006				
C 0002	CERAMIC CAP.	0.0022uF		F	DE7100F222MVA1-KC	K13269003				
C 0003	CERAMIC CAP.	0.0022uF		F	DE7100F222MVA1-KC	K13269003				
C 0007	FILM CAP.	0.22uF	50V		AMZ223K50	K52170008				
C 0008	AL. ELECTRO. CAP.	820uF	200V		CEAWF2D821M20	K40239004				
C 0009	AL. ELECTRO. CAP.	820uF	200V		CEAWF2D821M20	K40239004				
C 0010	FILM CAP.	0.47uF	400V		ECQB4474KF	K52260001				
C 0011	CERAMIC CAP.	220pF	2KV	R	DE5077R221K2K	K10339001				
C 0013	CERAMIC CAP.	220pF	2KV	R	DE5077R221K2K	K10339001				
C 0014	AL. ELECTRO. CAP.	27uF	50V		ECEA1HFE270	K40179051				
C 0015	FILM CAP.	0.1uF	50V		AMZ104K50	K52170009				
C 0016	FILM CAP.	0.022uF	50V		AMZ223K50	K52170008				
C 0017	AL. ELECTRO. CAP.	0.1uF	50V		CEUSM1HR10	K40179054				
C 0018	FILM CAP.	470pF	50V		AMZ471K50	K52170010				
C 0019	FILM CAP.	0.047uF	50V		AMZ473K50	K52170011				
C 0020	FILM CAP.	0.022uF	50V		AMZ223K50	K52170008				
C 0021	AL. ELECTRO. CAP.	27uF	50V		ECEA1HFE270	K40179051				
C 0030	FILM CAP.	0.001uF	250V		AMZ102K250	K52240005				
C 0031	FILM CAP.	0.001uF	250V		AMZ102K250	K52240005				
C 0032	AL. ELECTRO. CAP.	2200uF	25V		ECA1EFQ222L	K40149038				
C 0033	AL. ELECTRO. CAP.	2200uF	25V		ECA1EFQ222L	K40149038				
C 0034	AL. ELECTRO. CAP.	2200uF	25V		ECA1EFQ222L	K40149038				
C 0036	FILM CAP.	0.1uF	630V		MMH104K630	K52280007				
C 0038	AL. ELECTRO. CAP.	10uF	50V		CEUSM1H100	K40179053				
C 0040	CERAMIC CAP.	0.0047uF	50V	B	DD108B472K50	K10179038				
CN0001	CONNECTOR				5045-03A	P0090219				
CX0001	CERAMIC CAP.	0.001uF	400V	B	DE7090B102KVA1-KC	K10269002				
CX0002	CERAMIC CAP.	0.001uF	400V	B	DE7090B102KVA1-KC	K10269002				
CX0003	FILM CAP.	0.01uF	630V		MMH103K630	K52280008				
D 0001	DIODE				S10VB60	G2090501				
D 0003	DIODE				RG2	G2090502				
D 0005	DIODE				RG2	G2090502				
D 0006	DIODE				RD56EB	G2090503				
D 0007	DIODE				1S953	G2009530				
D 0008	DIODE				1S953	G2009530				
D 0009	DIODE				HZ22-1	G2090455				
D 0010	DIODE				1SS136	G2090504				
D 0011	DIODE				ERA32-02	G2090505				
D 0030	DIODE				30KF20B	G2090506				

# PS Unit

REF.	DESCRIPTION	VALUE	WV	TOL.	MFGR'S DESIG	YAESU P/N	VERS.	LOT.	LAY	ADR
D 0031	DIODE				30KF20B	G2090506				
D 0032	DIODE				RD15EB2	G2090507				
IC0001	IC				M51977P	G1091275				
IC0002	IC				NJM431L	G1091276				
L 0001	RFC				SU10VD20010	S8100251				
L 0003	RFC				HP104Z	S8100205				
L 0004	RFC				FL1914A	S8100252				
LF0001	LINE FILTER				736006	S8100201				
PC0001	PHOTO COUPLER				PC817	G0090006				
PC0002	PHOTO COUPLER				PC817	G0090006				
Q 0001	TRIAC				TM1041SL	G3090096				
Q 0002	FET				2SK1016	G3810160				
Q 0003	FET				2SK1016	G3810160				
Q 0004	TRANSISTOR				2SC3705	G3337050				
R 0001	FUSE RES.	10	5W		A53K10J	J31379001				
R 0002	CARBON FILM RES.	1K	1/6W		RD16PJ102	J01225102				
R 0003	METAL FILM RES.	100	2W		ERG-2SJ101	J22335101				
R 0004	CARBON FILM RES.	100K	1/2W		RD12TJ104	J01275104				
R 0005	CARBON FILM RES.	100K	1/2W		RD12TJ104	J01275104				
R 0006	METAL FILM RES.	100K	1W		RSU1-100K J	J22305104				
R 0007	CEMENT RES.	0.05	5W		MPC75-0.05 K	J31379002				
R 0008	METAL FILM RES.	10	1W		ERG-1SJ100	J22305100				
R 0009	METAL FILM RES.	22	2W		ERG-2SJ220	J22335220				
R 0010	METAL FILM RES.	10	1W		ERG-1SJ100	J22305100				
R 0011	METAL FILM RES.	22	2W		ERG-2SJ220	J22335220				
R 0012	CARBON FILM RES.	22	1/6W		RD16PJ220	J01225220				
R 0013	CARBON FILM RES.	15K	1/6W		RD16PJ153	J01225153				
R 0014	CARBON FILM RES.	47	1/6W		RD16PJ470	J01225470				
R 0015	CARBON FILM RES.	16K	1/6W		RD16PJ163	J01225163				
R 0016	CARBON FILM RES.	20K	1/6W		RD16PJ203	J01225203				
R 0017	CARBON FILM RES.	12K	1/6W		RD16PJ123	J01225123				
R 0018	CARBON FILM RES.	1K	1/6W		RD16PJ102	J01225102				
R 0019	CARBON FILM RES.	10K	1/6W		RD16PJ103	J01225103				
R 0020	CARBON FILM RES.	1.5K	1/6W		RD16PJ152	J01225152				
R 0021	CARBON FILM RES.	22	1/6W		RD16PJ220	J01225220				
R 0022	CARBON FILM RES.	10K	1/6W		RD16PJ103	J01225103				
R 0030	METAL FILM RES.	4.7	2W		ERX-2SJ4R7	J22335479				
R 0031	METAL FILM RES.	4.7	2W		ERX-2SJ4R7	J22335479				
R 0032	METAL FILM RES.	470	2W		ERG-2SJ471	J22339007				
R 0033	CARBON FILM RES.	10K	1/6W		RD16PJ103	J01225103				
R 0034	CARBON FILM RES.	1K	1/6W		RD16PJ102	J01225102				
R 0035	CARBON FILM RES.	1K	1/6W		RD16PJ102	J01225102				
R 0036	CARBON FILM RES.	10K	1/6W		RD16PJ103	J01225103				

REF.	DESCRIPTION	VALUE	WV	TOL.	MFGR'S DESIG	YAESU P/N	VERS.	LOT.	LAY	ADR
R 0037	CARBON FILM RES.	1K	1/6W		RD16PJ102	J01225102				
R 0038	CARBON FILM RES.	100K	1/6W		RD16PJ104	J01225104				
R 0039	CARBON FILM RES.	4.7K	1/6W		RD16PJ472	J01225472				
R 0040	CARBON FILM RES.	910	1/6W		RD16PJ911	J01225911				
T 0001	DRIVER TRANS.				FL1804A	S8100202				
T 0002	CONVERTER TRANS.				FL1803A	S8100203				
VR0001	POT.	100			EVN-38C-A00-B12	S8100207				
VR0002	POT.	100			EVN-38C-A00-B12	S8100207				